

EN



SMART GATE OPENER QUICK GUIDE



1

Operating mode

Setting the “Operating mode” switches

Switch S1

- If the gate position limit switches connected to inputs IN1 and IN2 are normally closed (NC), i.e., they give an open dry contact when the gate is fully closed and fully open respectively, set switch S1 to the upper “ON” position.
- If the gate position limit switches connected to inputs IN1 and IN2 are normally open (NO), i.e., they give a closed dry contact when the gate is fully closed and fully open respectively, set switch S1 to the lower “OFF” position.
- The device detects the gate position limit switches connected to inputs IN1 and IN2 automatically. If the limit switches are connected, the mobile application will display the open, closed, and intermediate status of the gate (if both IN1 and IN2 are connected) – i.e., when the gate is opening or closing:



Open

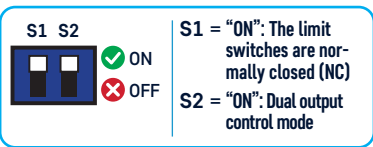
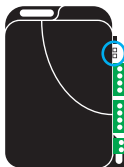


Closed



Mid-position













WHEN POWERED FROM 230VAC, THE DEVICE MUST BE INSTALLED IN AN IP67 RATED BOX



Switch S2

- **DUAL OUTPUT control mode:** Set switch S2 to the upper “ON” position if the motor controller has separate inputs for opening and closing. In this control mode, output OUT1 provides the momentary control contact for opening, and output OUT2 provides the momentary control contact for closing.
- **SINGLE OUTPUT control mode:** If the motor controller has only one control input for opening and closing, set switch S2 to the lower “OFF” position. In this control mode, output OUT1 provides the momentary control contact for both opening and closing, while output OUT2 remains activated at the same time on each control command for the time that can be set in the mobile application. Output OUT2 can be used for motor controllers that require a longer control signal to open / stay open, but it can also be suitable to control gate lighting.

Setup options of the “Operating mode” switches

SETTING S1 S2	CONTROL MODE	OUT1	OUT2	IN1 *	IN2 **	IN3 (500 ms)
	Dual output			NC	NC	Gate opening input
	Dual output			NO	NO	Gate opening input
	Single output		 <i>Can be configured in the mobile app</i>	NC	NC	Gate opening input
	Single output		 <i>Can be configured in the mobile app</i>	NO	NO	Gate opening input

* IN 1 – Connect here the position limit switch that indicates the fully open state of the gate. For more information, see section “3. Connecting limit switches”

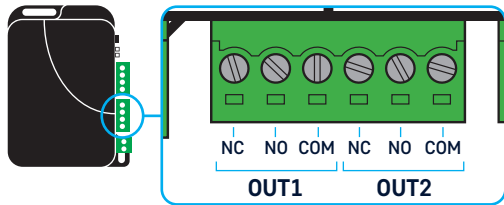
** IN 2 – Connect here the position limit switch that indicates the fully closed state of the gate. For more information, see section “3. Connecting limit switches”

*** The device gives a momentary closed dry contact on output OUT1 on every control command. The figure illustrates a possible operation of a motor controller with “step-by-step” function.

2 Configuring the outputs

Connecting the outputs to the motor controller unit

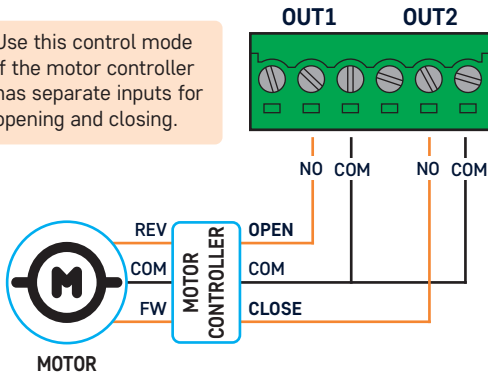
Outputs OUT1 and OUT2 have three terminals. The NC terminals provide a closed contact towards the COM in idle state, while the NO terminals provide an open contact (break) towards the COM in idle state.



1. DUAL OUTPUT control mode

(Switch S2 in "ON" position)

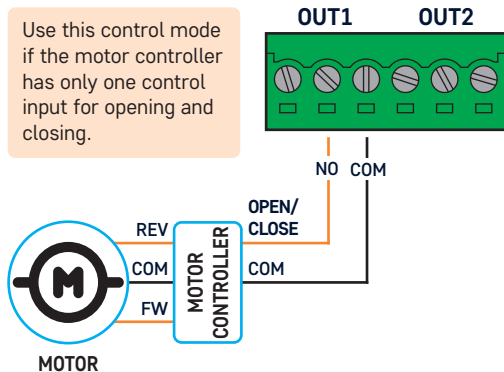
Use this control mode if the motor controller has separate inputs for opening and closing.



2. SINGLE OUTPUT control mode

(Switch S2 in "OFF" position)

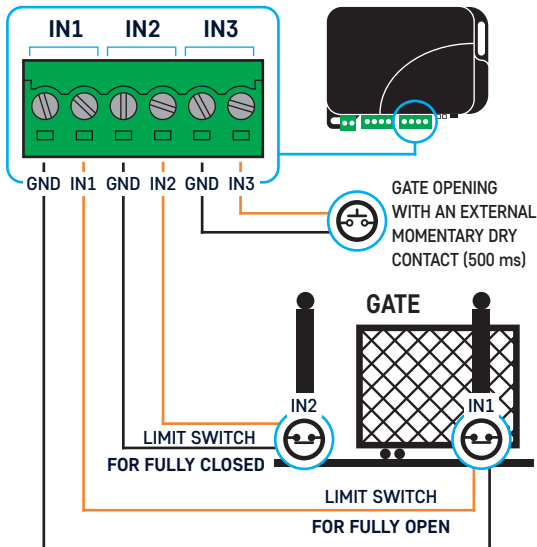
Use this control mode if the motor controller has only one control input for opening and closing.



3

Connecting limit switches

Inputs IN1 and IN2 are used to connect position limit switches.



- Connect the position limit switch that indicates the fully open state of the gate to input IN1.
- Connect the position limit switch that indicates the fully closed state of the gate to input IN2.
- The device automatically detects the state change of the connected limit switches and manages the end positions accordingly. If you do not want to use a limit switch, do not connect inputs IN1 and IN2.
- The device can manage either one or two limit switches.

Switch S1 is used to select the default state of the position limit switches based on the table below:



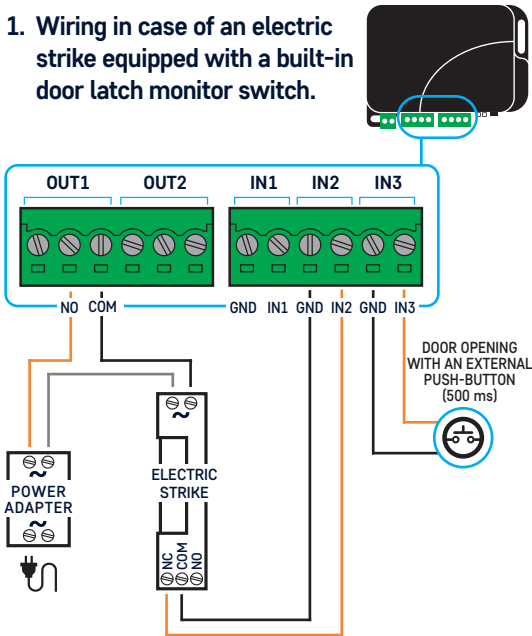
S1 settings	IDLE	ACTIVATED
„ON” position	CLOSED contact (short circuit between the input and GND)	OPEN contact
„OFF” position	OPEN contact (break between the input and GND)	CLOSED contact

Gate status displayed in the mobile application:

GATE STATUS	IN1	IN2
CLOSED	IDLE	ACTIVATED
OPEN	ACTIVATED	IDLE
MID-POSITION (opening/ closing in progress)	IDLE	IDLE

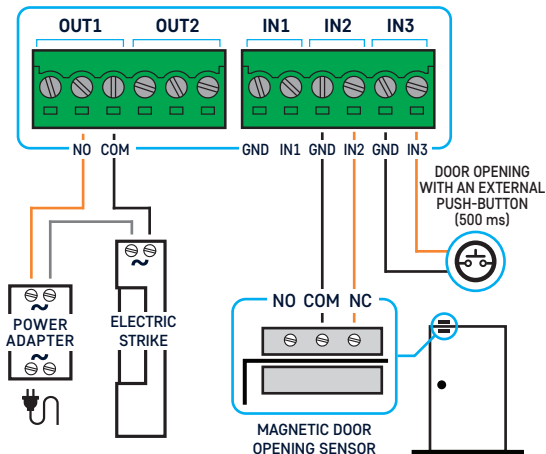
4 Controlling an electric strike (door lock)

1. Wiring in case of an electric strike equipped with a built-in door latch monitor switch.



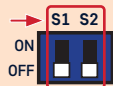
2. Wiring in case of a simple electric strike with no door latch monitor switch.

If the electric strike is not equipped with a built-in microswitch, you can use a magnetic door opening sensor with NC/COM outputs instead.



Setting the "Operating mode" switches

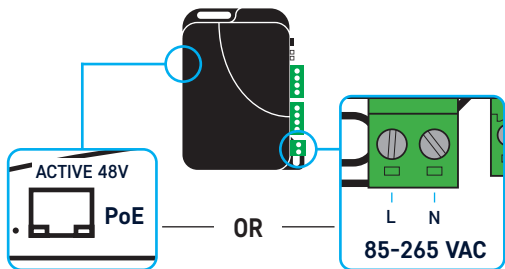
If the mobile app were to display the open/closed status inversely, set switch S1 to the "ON" position.



5 Power feed 85-265 VAC or PoE

There are two options to power the device.

1. Powering through the Ethernet socket. The device only supports a **48V PoE** power supply. **Please note:** If you purchase a PoE Switch or a power injector, choose the 48V model.
2. Powering with 85-265 VAC. The “85-265 VAC” labeled, separate 2-pole terminal is used for this purpose. Please connect the live (L) and neutral (N) as indicated on the box and in figures. **When this type of wiring is used, the device must be installed in an IP67 rated box.**



6 Downloading the mobile app For iOS and Android devices



7 Device registration

You can register your gate opener device in the mobile application. There are two different registration processes depending on how the device is connected to the network. If you have connected the device using the Ethernet port, follow the steps specified in section 7.1. In case you want to connect it using WiFi, please proceed as described in section 7.2.

7.1. Device connected via Ethernet



NOTE: Device registration requires Internet connection, so make sure that the network to which your device is connected via the Ethernet port enables it to access the Internet. For proper operation, it is essential that the device receives an IP address from a DHCP server on the network. Once this is successful, the IP LED next to the Ethernet port will light up orange. Please do not start the device registration process from the mobile app until that happens. For a successful registration, the mobile phone also must be connected to the Internet, and it is important to be connected to a WiFi network that can access the same local network where the device is connected.

If the above conditions are met, you can start the registration process from the mobile app. The app will guide you through the process, please follow the instructions there.

7.2. Connecting the device via WiFi



NOTE: Device registration requires Internet connection, so make sure that the WiFi network where you want to connect the device enables the device to access the Internet. For proper operation, it is essential that the device receives an IP address from a DHCP server on the network as soon as it connects to WiFi. For a successful registration, the mobile phone also must be connected to the Internet, and it is important to be connected to the same WiFi network where you want to connect the device.

You can start setting up your device's WiFi connection by pressing the WS button on the device. The first step of the WiFi-based installation is to press the WS button, and then wait for the IP LED next to the Ethernet port to start pulsing orange. The application will guide you through the installation process, please follow the instructions there.

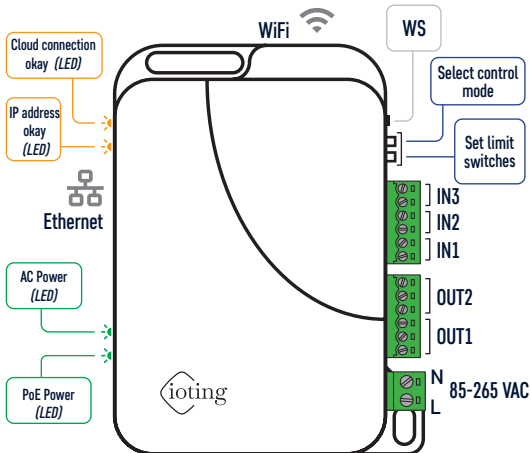


Restoring the factory default settings

To reset a previously installed device to factory default, follow the steps below:

WARNING! Resetting the device to factory default will erase all previous settings, including the users assigned to the device, and the WiFi settings!

- Step 1.** Disconnect the power feed from the device.
- Step 2.** Press and hold the WS button.
- Step 3.** Turn on the device - connect the power feed.
NOTE: Hold the WS button pressed while you connect the power feed, and do not release the button yet.
- Step 4.** Wait at least 5 seconds, and then release the WS button.



Supply voltage: 85-265VAC/47-63Hz
 Power consumption: max. 5W, Stby. <0.3W
 PoE voltage: 48V
 Operating temperature: -25...+50°C
 IP rating: IP50, suitable for indoor use.
 2014/53/EU (RED), EN 55035:2017

Manufactured by:
 T.E.L.L. Software Hungaria Kft.,
 H-4034 Debrecen, Vágóhid u. 2., Hungary

More information



open.ioting.io



CLASS-II



RoHS

